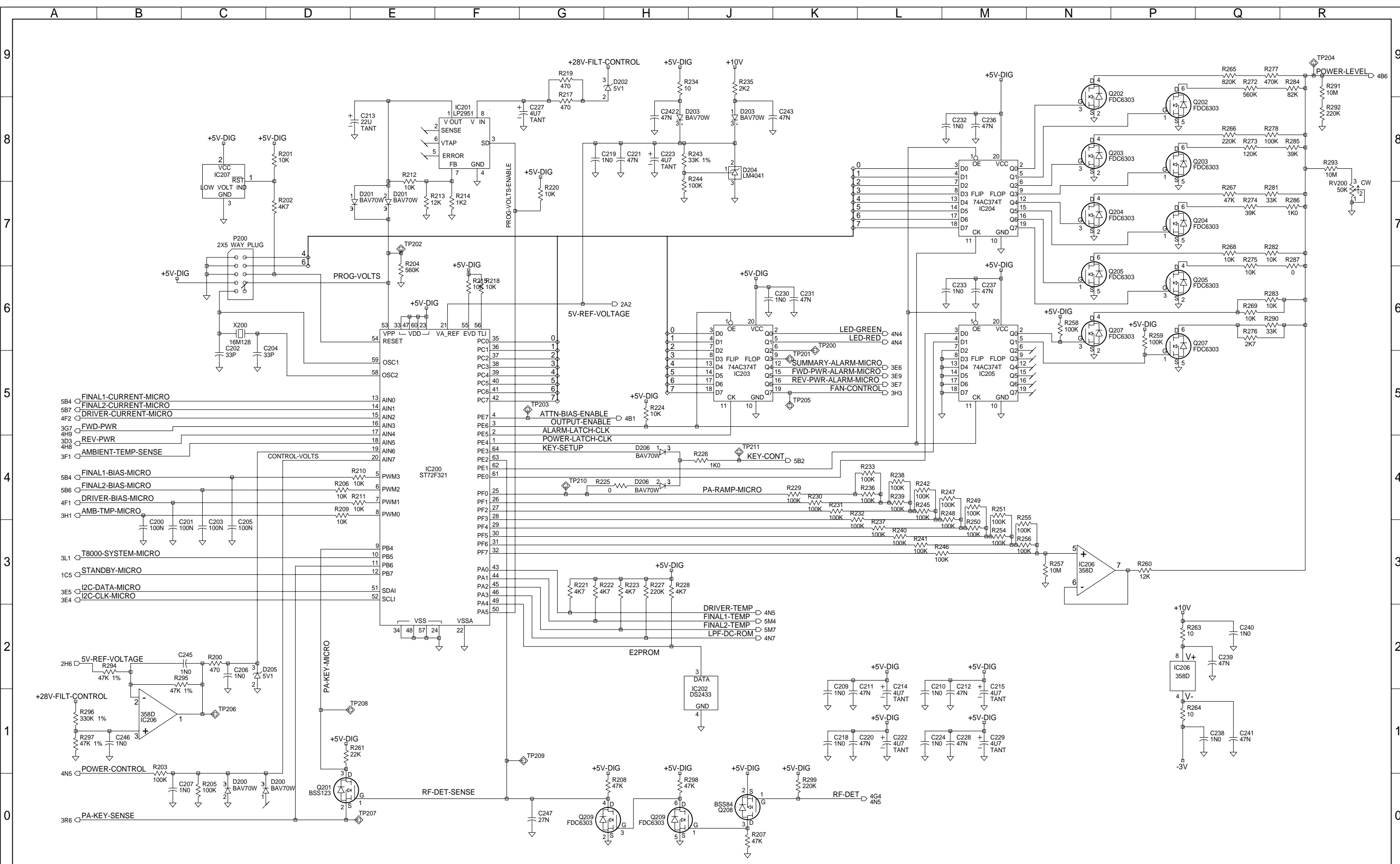


01A	CLONED FORM 226-00205-06	PAUL G			26-6-02
REV/ISS	AMENDMENTS	DRAWN	CHKD	D.O.	APVD DATE



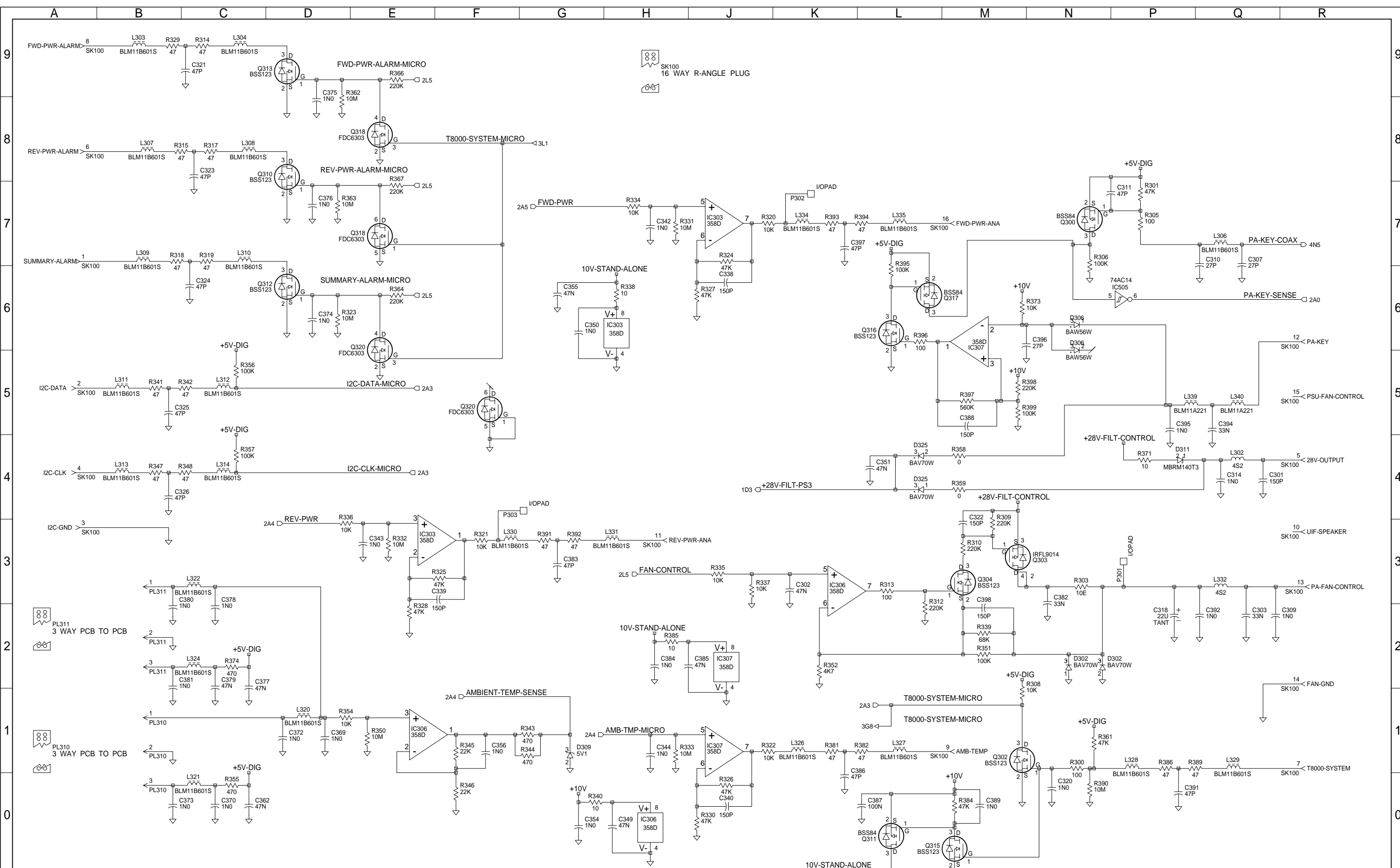
© TAIT ELECTRONICS			
T8000 UHF PA (400-520MHZ) POWER SUPPLIES			
IPN:	ISSUE:	FILE NAME:	ID:
220-02000-01	A	2.SC. 1	
PROJECT:	DESIGNER:	FILE DATE:	NO.SHEETS:
T8000	CN	0200001a 2-Jul-02	5



© TAIT ELECTRONICS
 T8000 UHF PA (400-520MHZ)
 MICROPROCESSOR

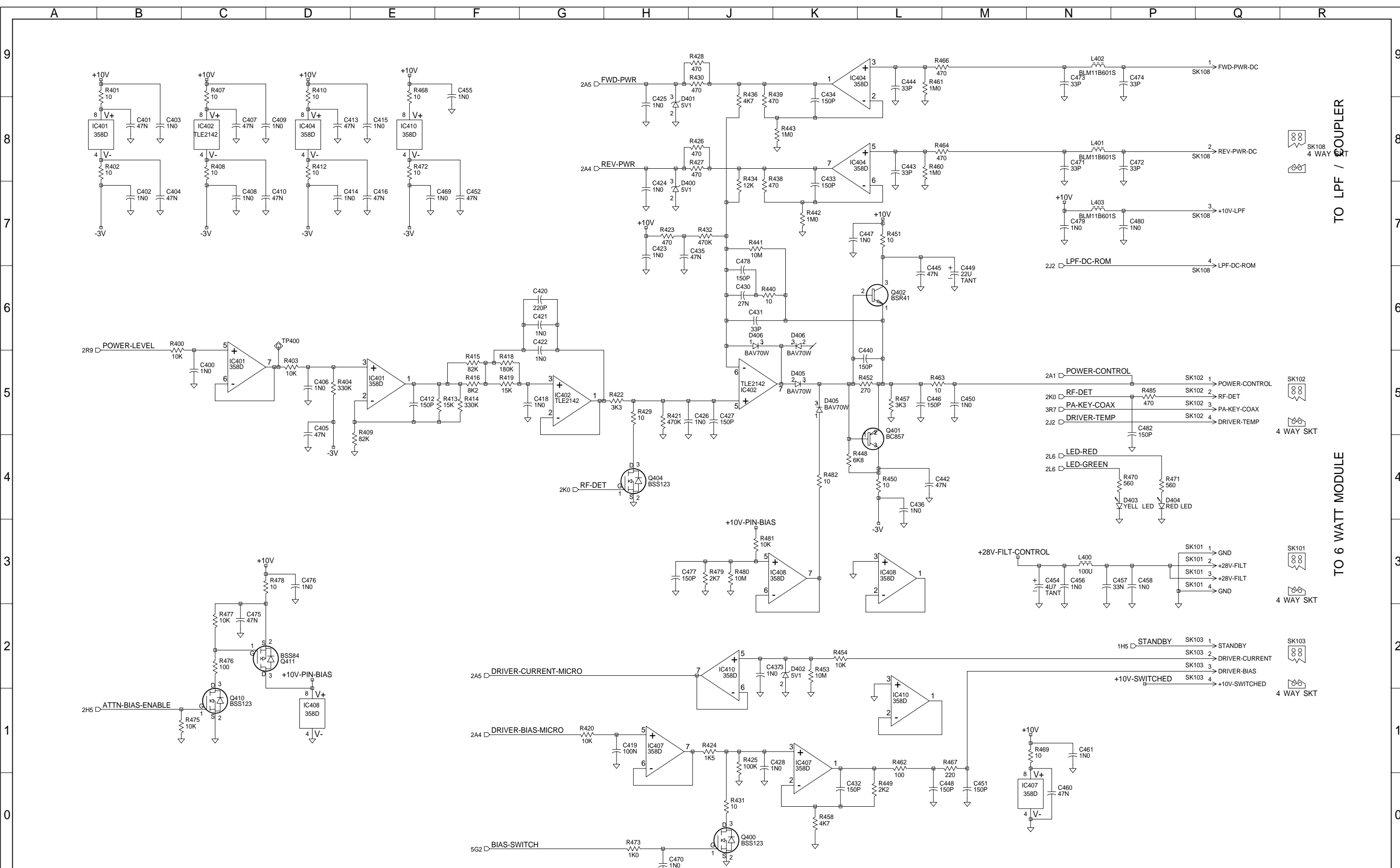
IPN:	ISSUE:	ID:
220-02000-01	A	2.SC. 2
PROJECT:	DESIGNER:	FILE NAME:
T8000	CN	0200001a
DATE:	NO. SHEETS:	
2-Jul-02	5	

01A	CLONED FORM 226-00205-06	PAUL G			26-6-02
REV/ISS	AMENDMENTS	DRAWN	CHKD	D.O.	APVD



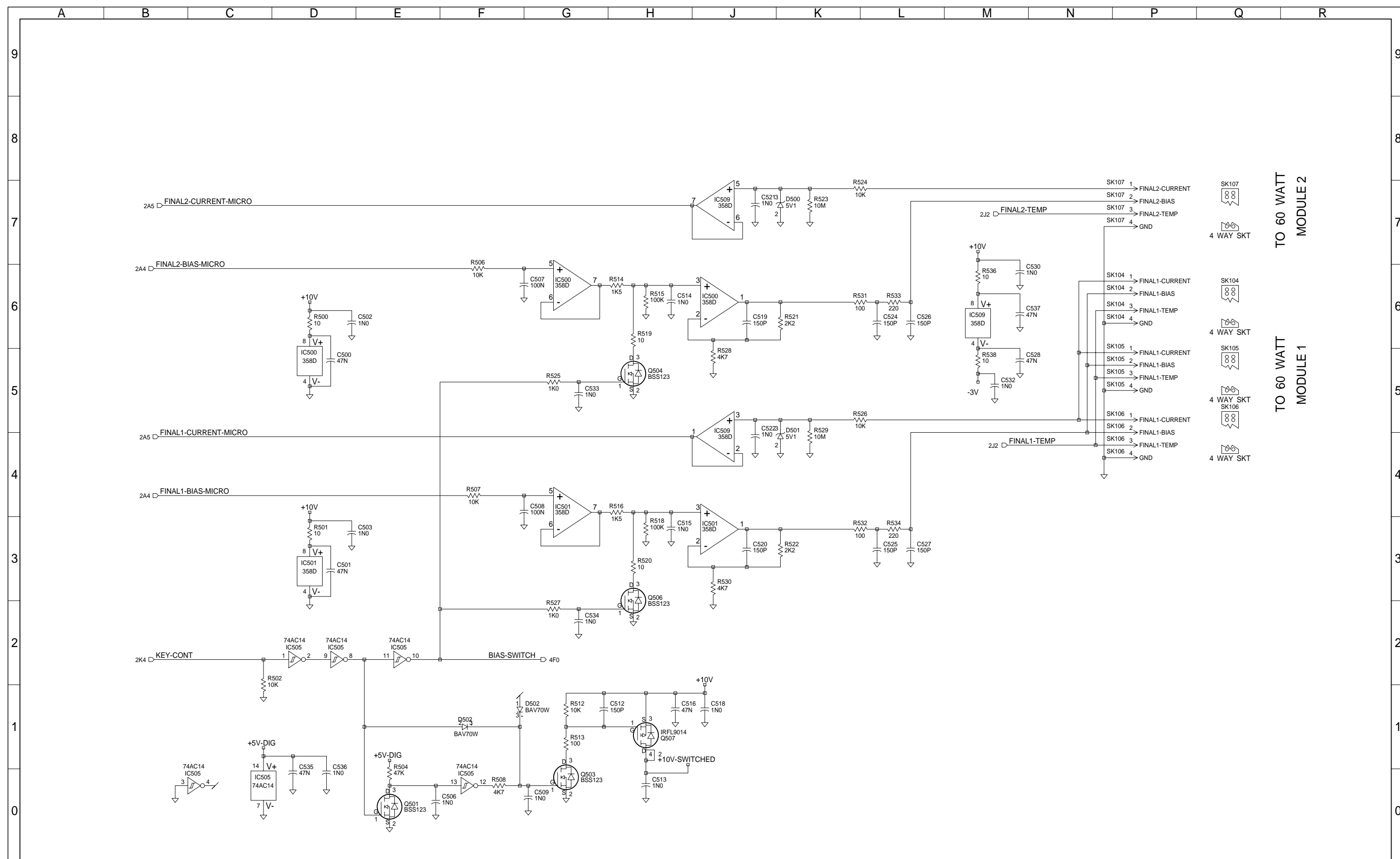
© TAIT ELECTRONICS
 T8000 UHF PA (400-520MHZ)
 I/O AND KEY CIRCUITS
 IPN: 220-02000-01
 ISS: A
 ID: 2.SC. 3
 PROJECT: T8000
 DESIGNER: CN
 FILE NAME: 0200001a
 FILE DATE: 2-Jul-02
 NO. SHEETS: 5

01A	CLONED FORM	226-00205-06	PAUL G			26-6-02
REV/ISS	AMENDMENTS		DRAWN	CHKD	D.O.	APVD DATE



© TAIT ELECTRONICS
 T8000 UHF PA (400-520MHZ)
 POWER CONTROL AND DRIVER BIAS
 IPN: 220-02000-01 ISSUE: A 2.SC. 4
 PROJECT: T8000 DESIGNER: CN FILE NAME: 0200001a FILE DATE: 2-Jul-02 NO.SHEETS: 5

01A	CLONED FORM 226-00205-06	PAUL G			26-6-02
REV/ISS	AMENDMENTS	DRAWN	CHKD	D.O.	APVD DATE



TO 60 WATT
MODULE 2

SK107 1 FINAL2-CURRENT
SK107 2 FINAL2-BIAS
SK107 3 FINAL2-TEMP
SK107 4 GND
4 WAY SKT

SK104 1 FINAL1-CURRENT
SK104 2 FINAL1-BIAS
SK104 3 FINAL1-TEMP
SK104 4 GND
4 WAY SKT

SK105 1 FINAL1-CURRENT
SK105 2 FINAL1-BIAS
SK105 3 FINAL1-TEMP
SK105 4 GND
4 WAY SKT

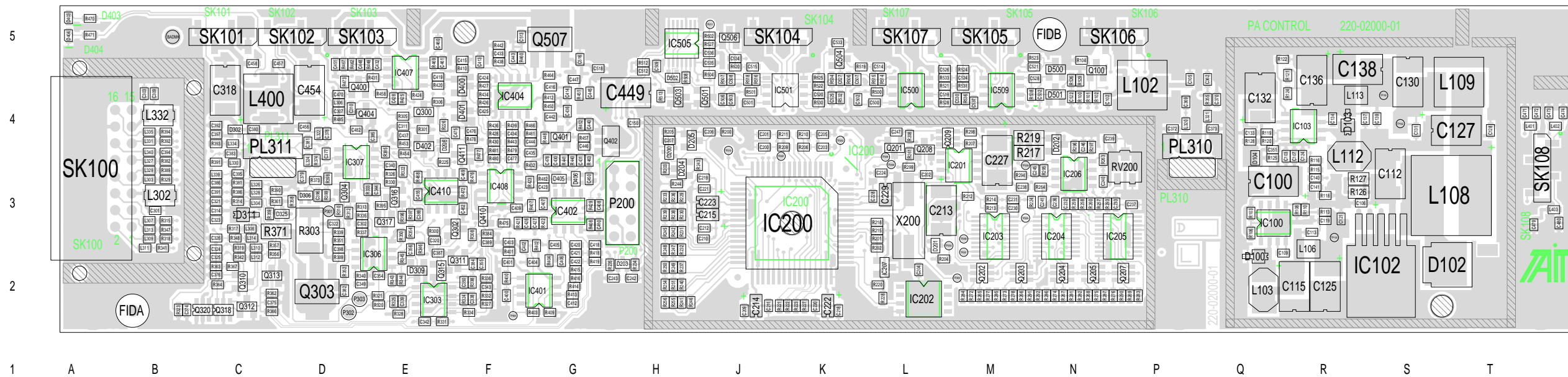
SK106 1 FINAL1-CURRENT
SK106 2 FINAL1-BIAS
SK106 3 FINAL1-TEMP
SK106 4 GND
4 WAY SKT

TO 60 WATT
MODULE 1

© TAIT ELECTRONICS
T8000 UHF PA (400-520MHZ)
FINAL BIAS/CURRENT & 10V SWITCH

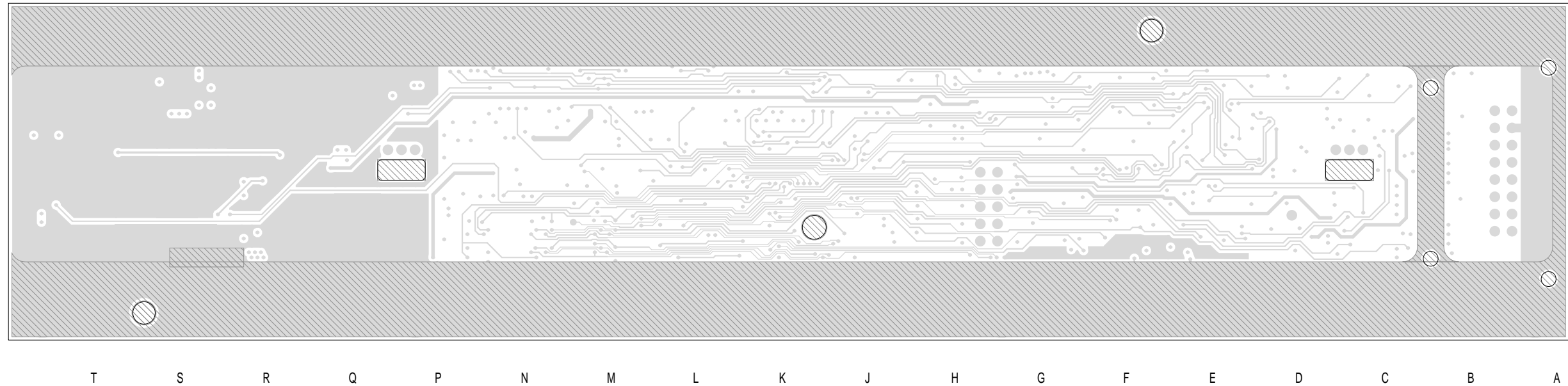
IPN: 220-02000-01 ISSUE: A 2.SC. 5
PROJECT: T8000 DESIGNER: CN FILE NAME: 0200001a FILE DATE: 2-Jul-02 NO.SHEETS: 5

01A	CLONED FORM 226-00205-06	PAUL G			26-6-02
REV/ISS	AMENDMENTS	DRAWN	CHKD	D.O.	APVD DATE



TAIT ELECTRONICS	IPN:	ISS:	ID:	DATE:
	220-02000-01	A	1.TA	4 Jul 2002
PA CONTROL PCB LAYOUT - TOP SIDE				

Scale:1.4:1 ; Rotation: 0 degrees



TAIT ELECTRONICS	IPN: 220-02000-01	ISS: A	ID: 4.BA	DATE: 4 Jul 2002
PA CONTROL PCB LAYOUT - BOTTOM SIDE				

Scale: 1.4:1 ; Rotation: 0 degrees